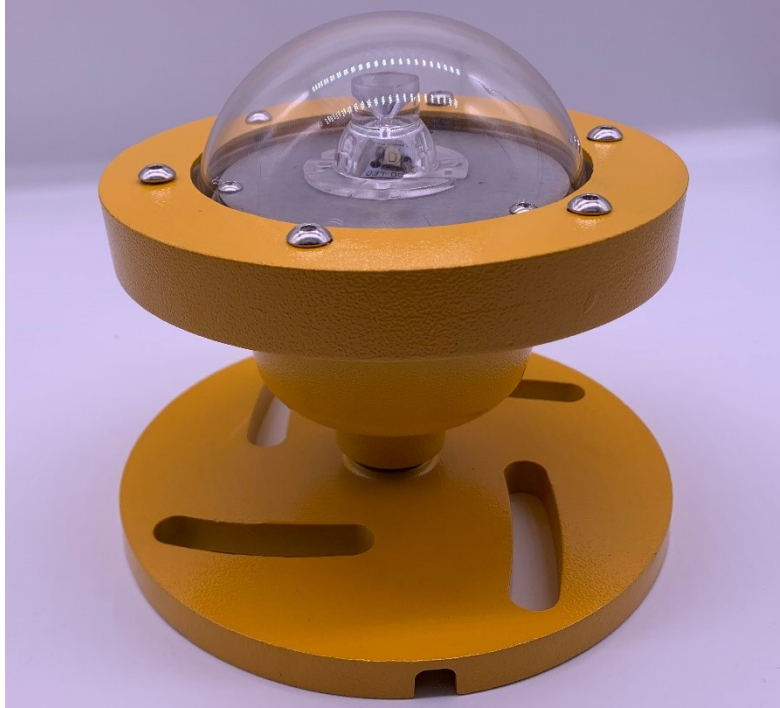


# Product Specification

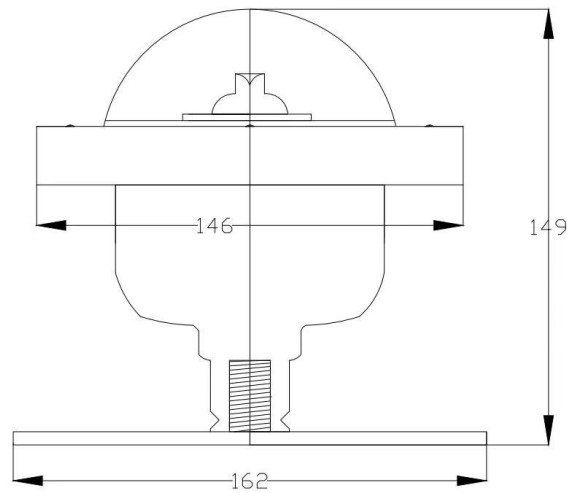


Product

Heliport Taxiway Edge Light

## 1 Technical Parameters

### 1.1 Dimensions (mm)



## 1.2 Technical Parameters

The following parameters are obtained under normal temperature test. (25°C)

Item of Test		Parameters
Model		SPL-019
Structure Parameter	Nominal Dimension	162mm x 146mm x 149mm
	Installation Dimension	84-100*4 (M12)
	Material of Lamp Panel	Aluminum Die Casting
	Material of Cover	PC
Electrical Parameter 电性参数	Rated Power	7W
	Input Voltage	AC 100-250V
	Light source	LED
	Light color	white/green/yellow
	Effective light intensity(cd)	≥5
Operating mode	Operating mode	Steady burning
	Function	This product is vertically installed along touchdown and liftoff area edge, it can

		radiate steady burning green light at all direction in the night or low visibility daytime, to identify the borders of touchdown and liftoff area edge, enable pilots to land safely.
Other Parameter 其它参数	Operating tem.	-40 ~ +55°C
	Wind load <sup>①</sup>	80m/s
	Protection	IP66
	Weight	1.8Kg

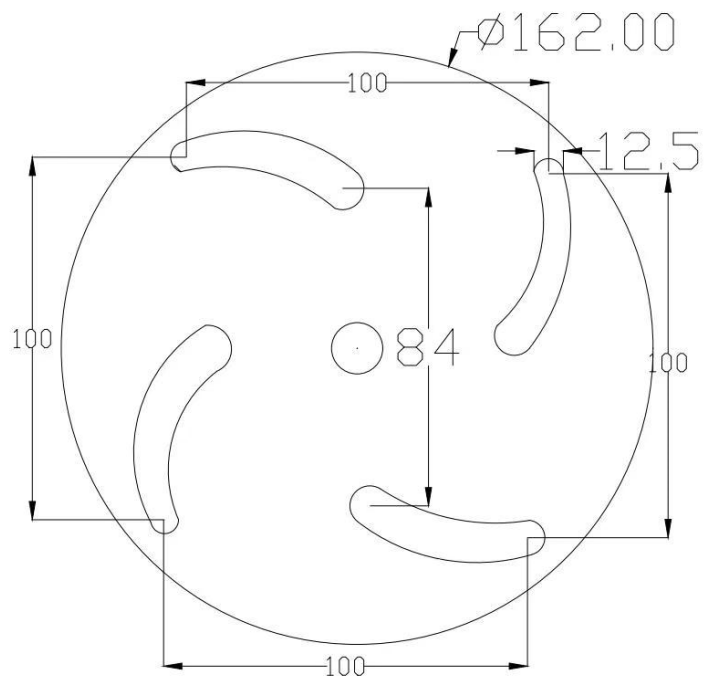
## 2. Characteristics of Lamp

1. Corrosion resistance, anti-ultraviolet.
2. International advanced cold light source, low power consumption, high brightness, the service life is up to 100000 hours.
3. The use of PC material, designed for impact resistance.
4. With lightning protection function.
5. This product is self-developed, with new product experiment;
6. The housing adopts integrated die-casting aluminium, with super performance of heat sinking and sealing;
7. The optical module of this product adopts reflex housing, high efficiency of light gathering, no extra scattered light pollution;

## 3. Installation

### 3.1 Schematic Diagram

---



### 3.2 Instruction

- a) Please read carefully the product specification before using the driver to make sure the operation environment can meet the requirement as per the specification.
- b) While connecting the tube to the power, please make sure the switch is "OFF".
- c) Do not disassemble the lamp by yourself.

### 4. Maintenance

- 4.1 keep every screw in tight
- 4.2 keep the light OFF when not using