

Product Specification

产品规格书



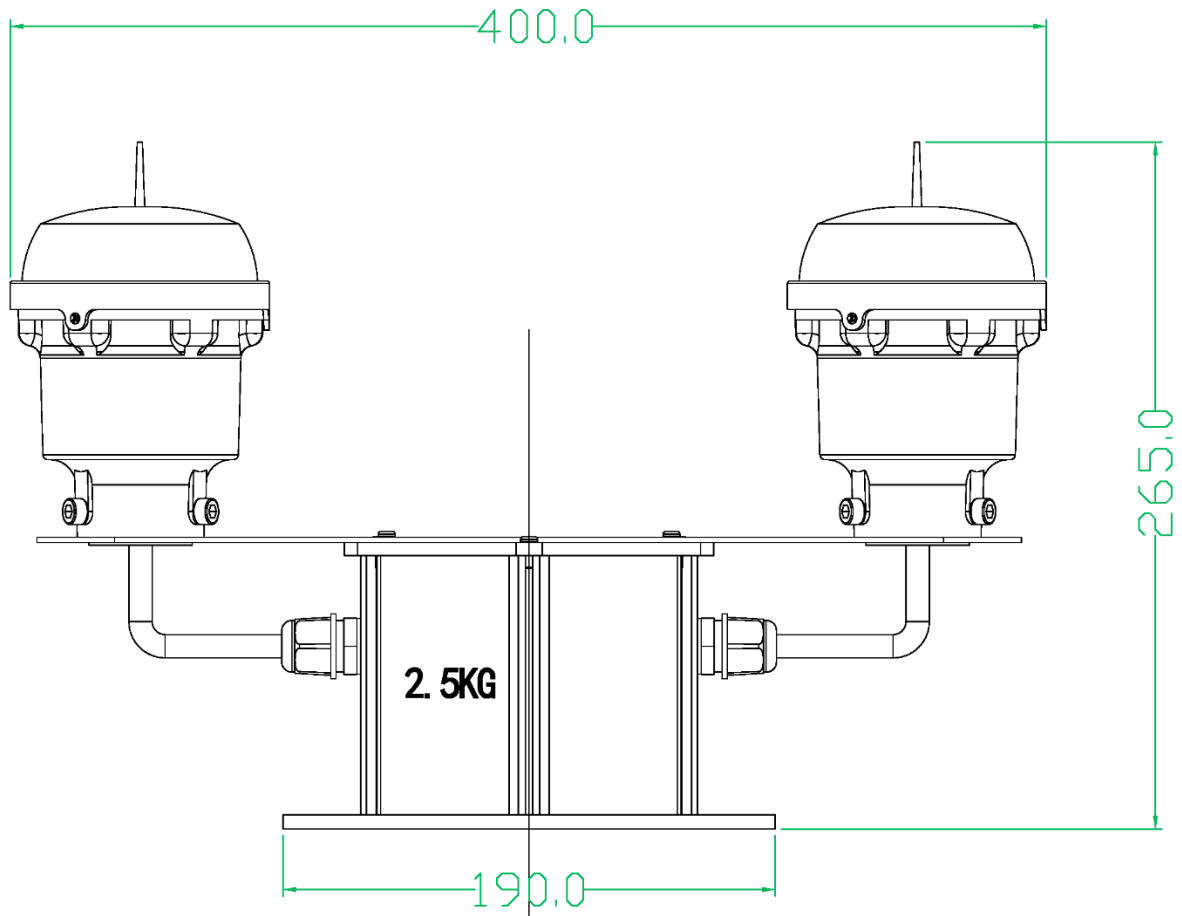
Product

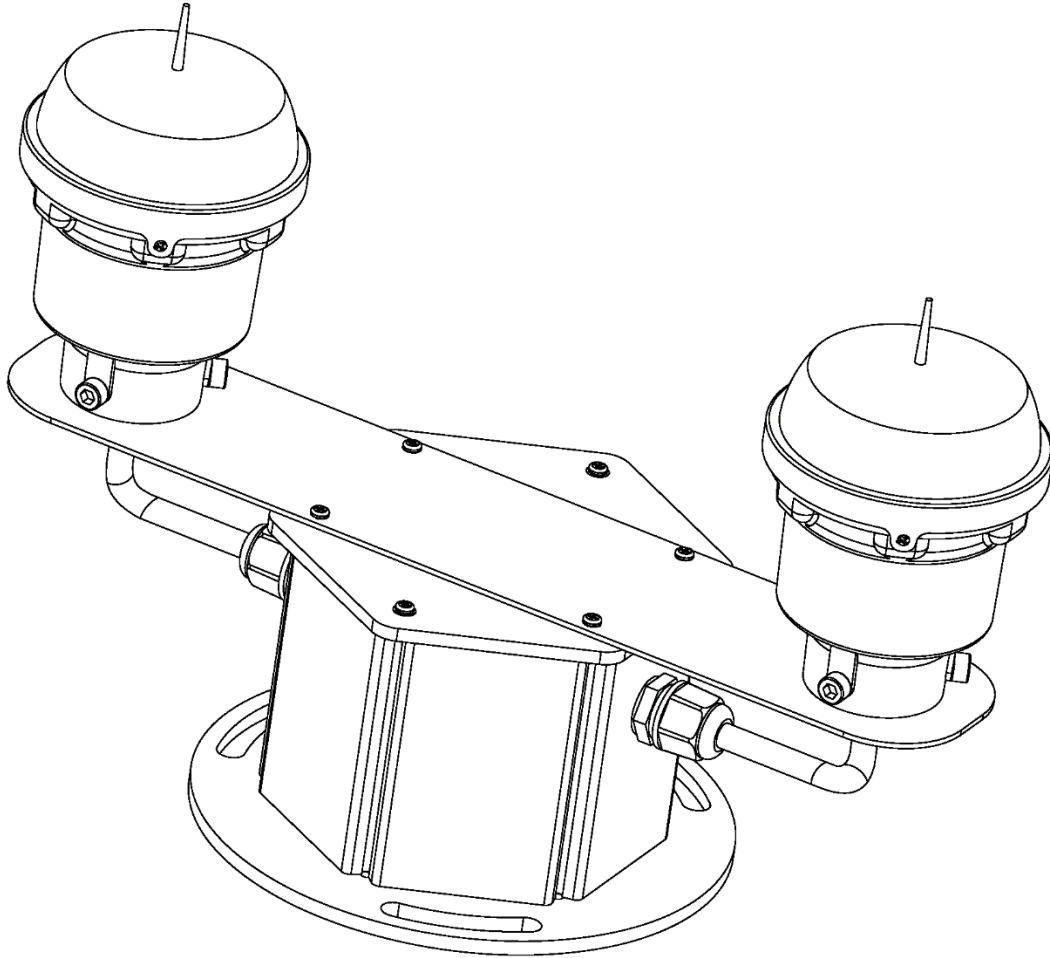
产品名称

Low Intensity Light Type B Dual
Light

1 Technical Parameters 技术参数

1.1 Dimensions (mm) 产品规格图





1.2 Technical Parameters 技术参数

The following parameters are obtained under normal temperature test. (25 °C)
 (以下数据是在 25 °C 常温下测试)

Item of Test 项目		Parameters 参数
Model 型号		SPL-016
Structure Parameter 结构参数	Nominal Dimension 整体尺寸	400×265×190mm
	Installation Dimension 安 装尺寸	SEE ABOVE
	Material of Lamp Panel 底座材质	Aluminum Die Casting (压铸铝)
	Material of Cover 灯罩材质	PC

Electrical Parameter 电性参数	Rated Power 额定功率	≤8W
	Input Voltage 输入电压	IN: AC220±20% 50/60Hz OUT: DC9~10V 850AM±10%
	Light source 光源	LED
	Light color 发光颜色	RED 红色
	Effective light intensity(cd) 有效光强	32
Operating mode 工作方式	Operating mode 工作模式	Steady burning
	Function 功能	XB-L810(X) low intensity obstruction light type B dual light is a red fixed light, to mark the outline of the building, to alert the pilots. When one light is faulty, the other one can work. This light has AC & DC optional.
Other Parameter 其它参数	Operating tem. 工作温度	-40 ~ +55°C
	Wind load ^① 风载荷 ^①	60m/s
	Protection 防护等级	IP66
	Weight 重量	2.5Kg

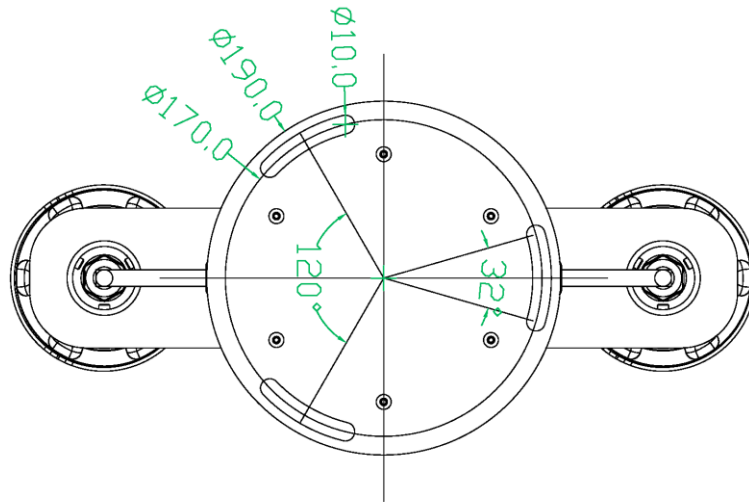
2. Characteristics of Lamp 灯具特点

1. Corrosion resistance, anti-ultraviolet.
2. International advanced cold light source, low power consumption, high brightness, the service life is up to 100000 hours.
3. The use of PC material, designed for impact resistance.
4. With lightning protection function.
5. This product is self-developed, with self-patent for optics and new product experiment;
6. The housing adopts integrated die-casting aluminium, with super performance of heat sinking and sealing;

7. The optical module of this product adopts reflex housing, high efficiency of light gathering, no extra scattered light pollution;

3. Installation 灯具安装与使用

3.1 Schematic Diagram 灯具安装示意图



3.2 Instruction 使用说明

a) Please read carefully the product specification before using the driver to make sure the operation environment can meet the requirement as per the specification.

请先仔细阅读产品规格书，确认其使用环境符合规格书上的要求，方可使用。

b) While connecting the tube to the power, please make sure the switch is "off".

将产品接入电源时，请先确保开关处于闭合状态。

c) Do not disassemble the lamp by yourself.

不可自行拆开灯具。

4. Maintenance 灯具维护保养

4.1 keep every screw in tight

4.2 keep the light OFF when not using

5. Standard 符合规范

5.1 Low intensity light type B dual light, International Civil Aviation Organization, annex 14, volume 1,

7th edition, “airport design and operation”, July 2016, table 6.3.

低光强双联 B 型航空障碍灯, 国际民航组织附件 14 第 1 卷, “机场设计和运行”第 7 版 July 2016, 表 6.3

